

# Waste bin 120l Premium series



## TECHNICAL DATA:

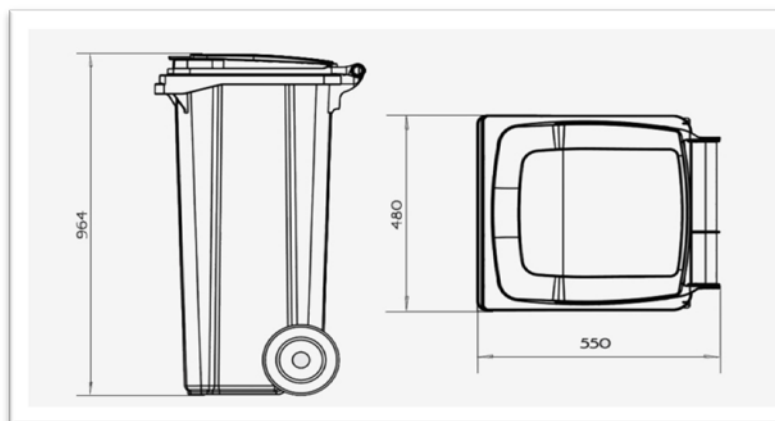
Volume: 120 lt  
Dimensions: 550 x 480 x 964  
Weight: approx. 9,00 kg

Material: They are made of (HDPE) High Density Polyethylene, UV-stabilized, resistant to high and low temperatures  
Wheels: 2 rubber wheels Ø200  
Corrosion-free steel axle  
Lid with 3 handles

## ADVANTAGES OF HDPE MATERIAL

- Ecological product
- Long life span
- Recyclable
- Resistance to low temperatures
- Resistance to chemicals
- Resistance to UV-radiation

## DIMENSIONS:



## OPTIONS:

- Recycling inserts for PET, paper, packaging and glass
- Foot pedal
- Chip nest
- Locking system
- Noise reduction
- Marking
- Hot stamping
- Colors: green, yellow, blue, black, red, brown



Other colors on request.