

Waste bin 140l Standard Series PL



TECHNICAL DATA:

Volume: 140 lt

Dimensions: 560 x 480 x 1055

Weight: approx. 10,2 kg

Material: They are made of (HDPE) High Density Polyethylene, UV-stabilized, resistant to high and low temperatures

Wheels: 2 rubber wheels
Ø200

Corrosion-free steel axle

Lid with 2 handles

ADVANTAGES OF HDPE MATERIAL

Ecological product

Long life span

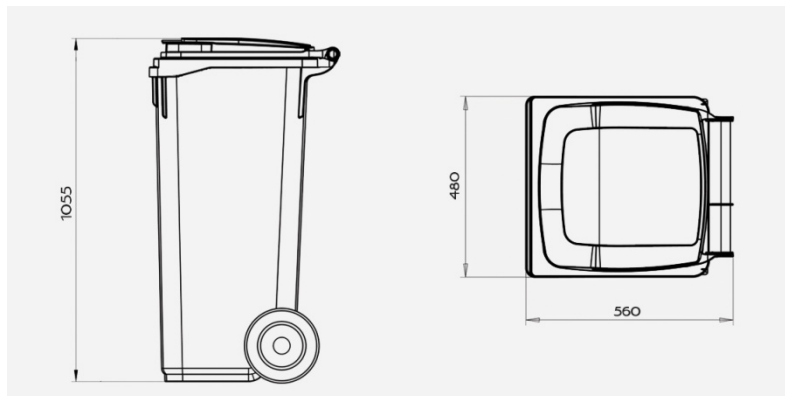
Recyclable

Resistance to low temperatures

Resistance to chemicals

Resistance to UV-radiation

DIMENSIONS:



OPTIONS:

Recycling inserts for PET, paper, packaging and glass

Foot pedal

Chip nest

Locking system

Marking

Hot stamping

Colors: green, yellow, blue, black, red, brown



Other colors on request.