

Waste bin 120l Standard Series SL



TECHNICAL DATA:

Volume: : **120 lt**

Dimensions: **560 x 480 x 964**

Weight: approx. **9 kg**

Material: They are made of (HDPE) High Density Polyethylene, UV-stabilized, resistant to high and low temperatures

Wheels: 2 rubber wheels Ø200

Corrosion-free steel axle

Lid with 2 handles

ADVANTAGES OF HDPE MATERIAL

Ecological product

Long life span

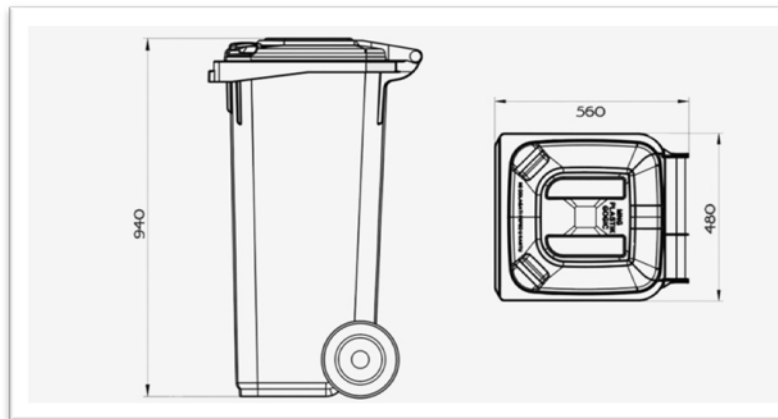
Recyclable

Resistance to low temperatures

Resistance to chemicals

Resistance to UV-radiation

DIMENSIONS:



OPTIONS:

Recycling inserts for PET, paper, packaging and glass

Foot pedal

Chip nest

Locking system

Marking

Hot stamping

Colors: green, yellow, blue, black, red, brown



Other colors on request.